

Technical data sheet

Product features



Chilled display unit GN 4-1/1 drop-in, upwards opening

Model	SAP Code	00012077
--------------	-----------------	----------



- Buffet type: PLATINUM - dynamically cooled showcase
- Device properties: Chilled
- Number of GN / EN: 4
- GN / EN size in device: GN 1/1
- GN device depth: 200
- Minimum device temperature [°C]: 4
- Maximum device temperature [°C]: 8
- Opening of device: Flip up

SAP Code	00012077	Loading	230 V / 1N - 50 Hz
Net Width [mm]	1494	Number of GN / EN	4
Net Depth [mm]	760	GN / EN size in device	GN 1/1
Net Height [mm]	1210	GN device depth	200
Net Weight [kg]	220.00	Minimum device temperature [°C]	4
Power electric [kW]	0.494	Maximum device temperature [°C]	8

Technical data sheet

Technical drawing



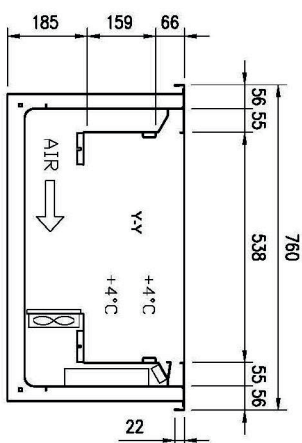
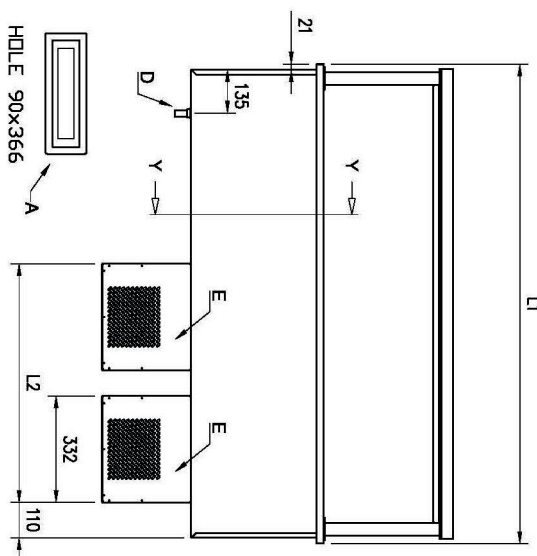
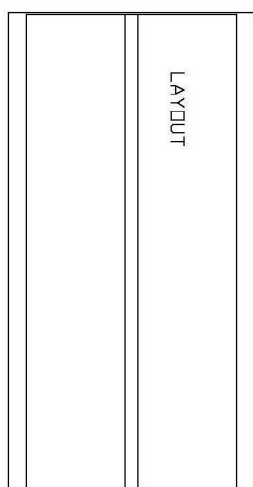
Chilled display unit GN 4-1/1 drop-in, upwards opening

Model

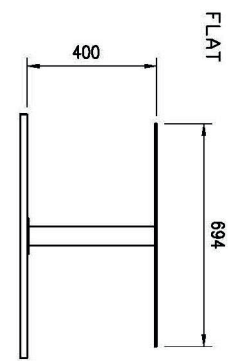
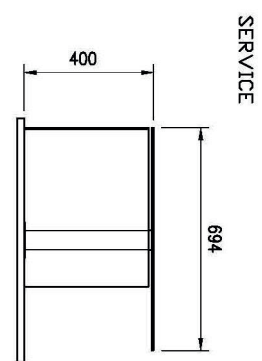
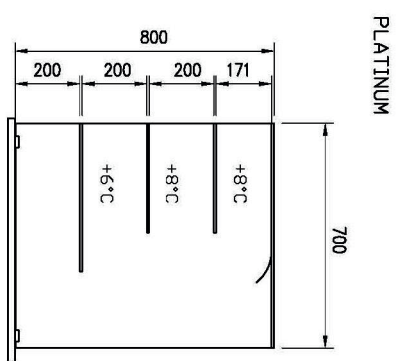
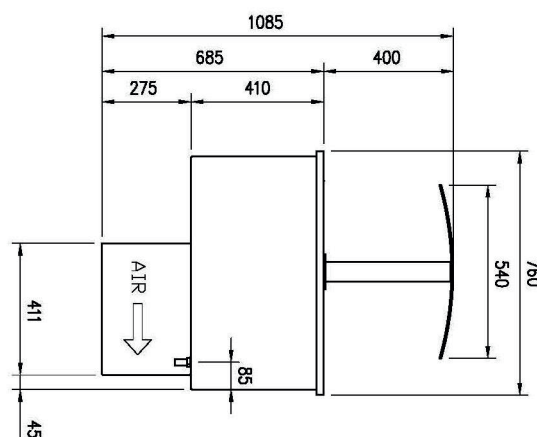
SAP Code

00012077

A= ELECTRICAL CONNECTION
 D= WATER DISCHARGE Ø16
 E= GAS CONNECTION Ø8 Ø10
 F= WATER BOX



GN	L1	L2	HOLE
4/1	1494	744	1460x726
5/1	1819	744	1785x726
6/1	2144	1069	2110x726



Technical data sheet

Product benefits



Chilled display unit GN 4-1/1 drop-in, upwards opening

Model	SAP Code	00012077
--------------	-----------------	----------

1

Dynamic cooling

- constant temperature in all places of the refrigerated space
- greater hygienic safety of chilled food

2

LED lighting

- minimal energy consumption
- economical lighting
 - attractive appearance

3

Surface height regulation

- a large range of the height of the bottom surface of the display case
- greater variability of product storage
 - space saving

4

Back attendant

- service and delivery on different sides
- possibility to refill products at any time during operation

5

Built-in

- the possibility to plant in a dispensing block design
- unified design of the dispensing line
 - a luxurious look that customers appreciate

Technical data sheet

Technical parameters



Chilled display unit GN 4-1/1 drop-in, upwards opening

Model	SAP Code
	00012077

1. SAP Code:

00012077

2. Net Width [mm]:

1494

3. Net Depth [mm]:

760

4. Net Height [mm]:

1210

5. Net Weight [kg]:

220.00

6. Gross Width [mm]:

1558

7. Gross depth [mm]:

860

8. Gross Height [mm]:

1830

9. Gross Weight [kg]:

240.80

10. Device type:

Electric unit

11. Buffet type:

PLATINUM - dynamically cooled showcase

12. Device properties:

Chilled

13. Exterior color of the device:

Stainless steel

14. Power electric [kW]:

0.494

15. Loading:

230 V / 1N - 50 Hz

16. Number of GN / EN:

4

17. GN / EN size in device:

GN 1/1

18. GN device depth:

200

19. Minimum device temperature [°C]:

4

20. Maximum device temperature [°C]:

8

21. Opening of device:

Flip up

22. Interior lighting:

No

23. Cross-section of conductors CU [mm²]:

0,5

- Výkon (kW): 2,4-3,3 (230 V)

24. Refrigerant:

R290